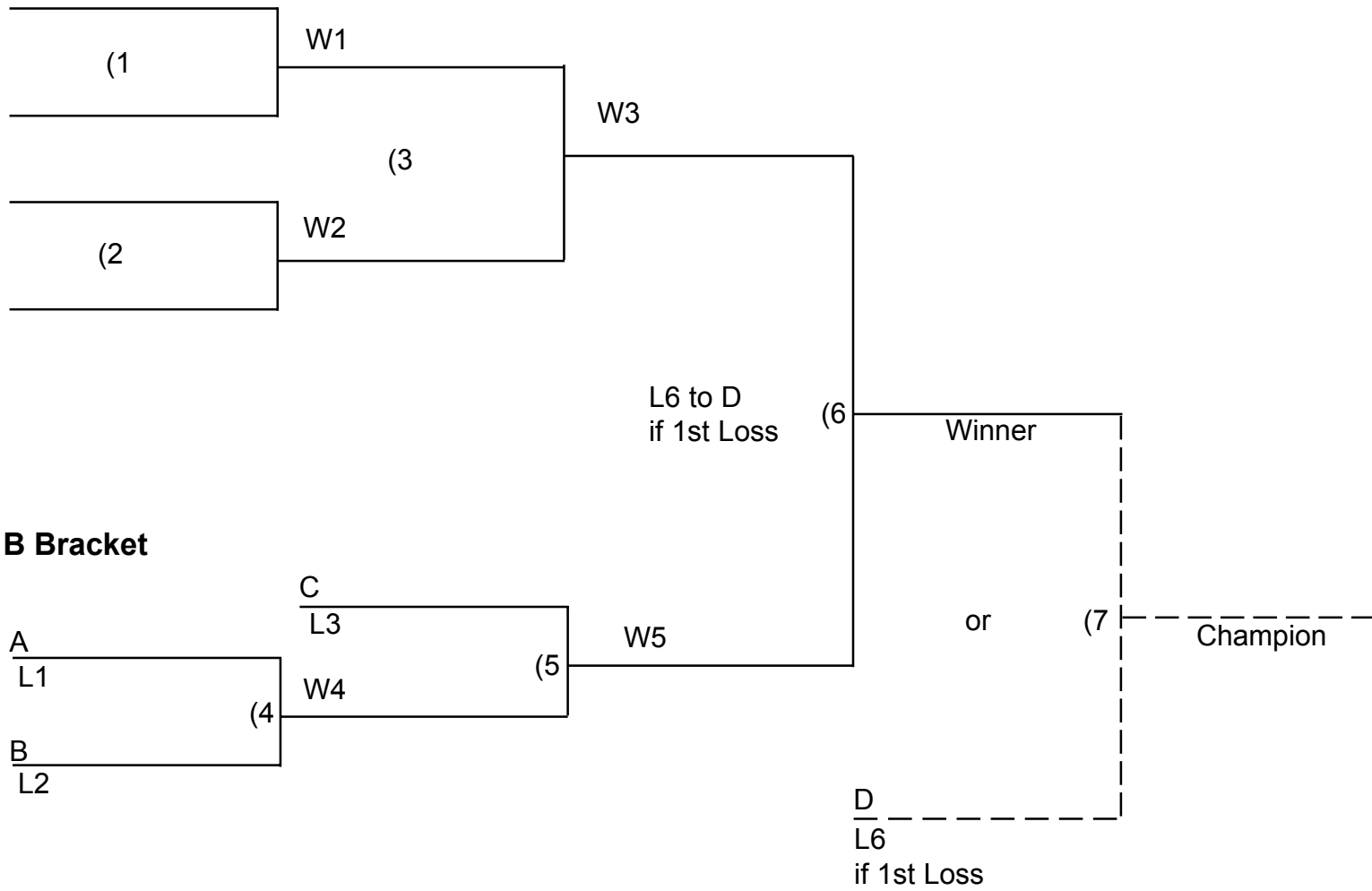
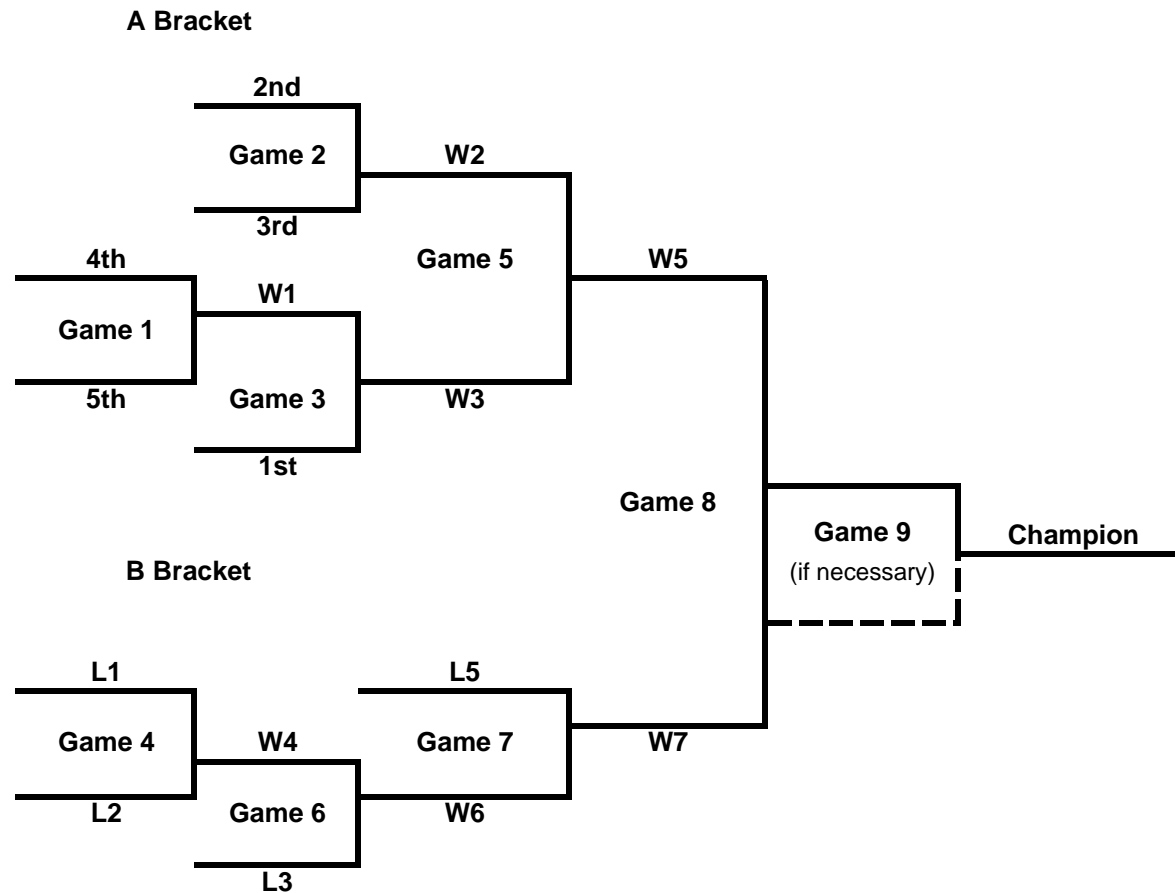


4 Team Double Elimination Bracket

A Bracket

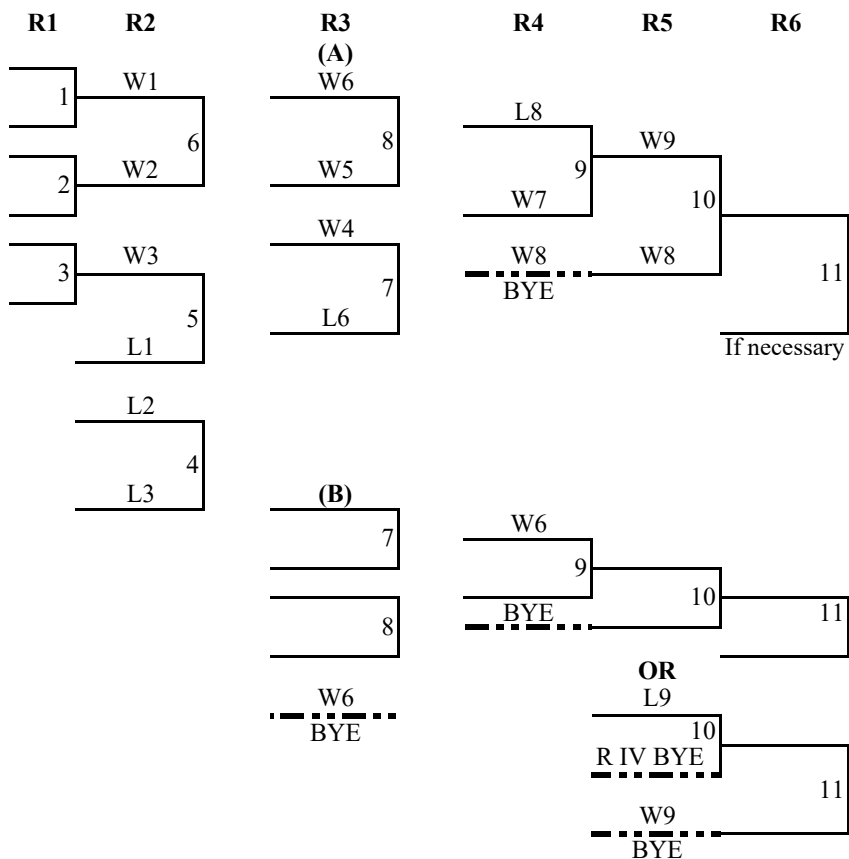


Revised 5-team format



1st, 2nd and 3rd place teams get byes for the first round. 4th vs 5th is the first game to start the tournament. No other byes are required. Game 9 necessary only if W5 loses Game 8.

SCHEDULE TO BE FOLLOWED FOR A 6 TEAM TOURNAMENT



Round 1: Seeded by TBA standings
 Round 2: L2 plays L3. W3 plays L1. W1 plays W2.
 Note: After Round 2, if W5 is undefeated, only 4 teams will remain. Use Bracket A. However, if W3 loses G5, there will be 5 teams remaining. Use Bracket B.

Bracket A Schedule:

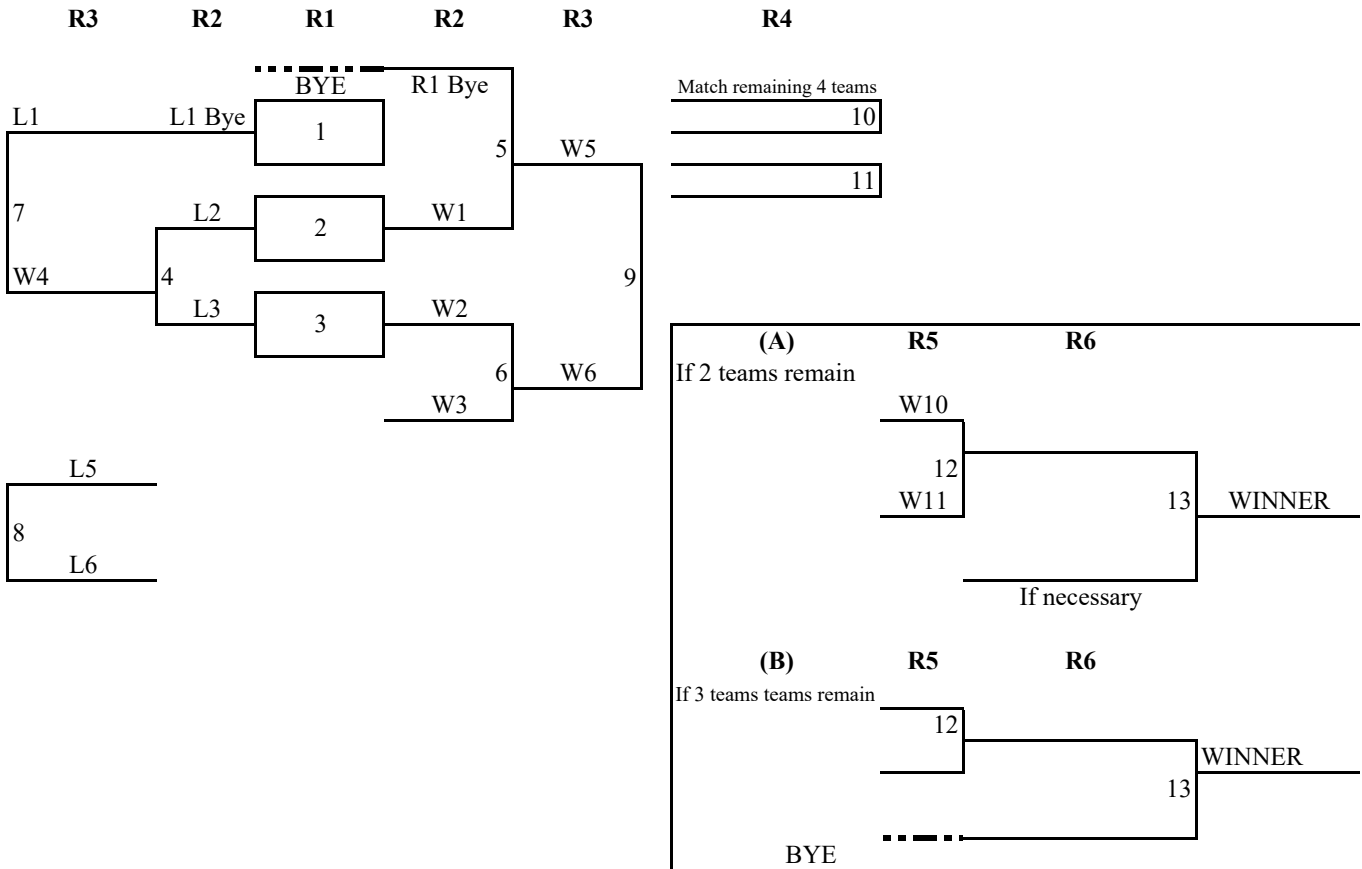
Round 3: L4 and L5 have been eliminated. W4 plays L6. W5 plays W6.
 Round 4: L7 has been eliminated. Only 3 teams remain, 1 is undefeated with a (3-0) record. The undefeated team automatically receives the bye. L8 plays W7.
 Round 5: W9 plays W8.
 Round 6: If necessary, there will be a sudden death championship game.

Bracket B Schedule:

Round 3: L4 has been eliminated. 5 teams remain, 1 is undefeated. The undefeated team (W6) receives the bye. Match the 4 remaining teams, avoiding previous match-ups if possible. Where avoiding previous match-ups is not possible, a draw shall be held to determine pairings.
 Round 4: L7 and L8 have been eliminated. 3 teams remain, 1 is undefeated. W7 and W8 draw for the bye. The draw loser plays W6.
 Round 5: 2 or 3 teams remain. If 2 teams remain, W9 plays the bye team. If 3 teams remain, W9 receives the bye and L9 plays the Round 4 bye team.
 Round 6: If necessary, there will be a sudden death championship game.

****Note: Please refer to Section P5 of the Baseball Ontario Constitution regarding rules for Byes.**

SCHEDULE TO BE FOLLOWED FOR A 7 TEAM TOURNAMENT



- Round 1: Seeded by TBA standings. First place team receives the bye.
- Round 2: L1 Receives Round 2 Bye. L2 plays L3. R1 Bye plays W1, W2 plays W3.
- Round 3: L4 has been eliminated. W4 plays L1, L5 plays L6, W5 plays W6.
- Round 4: L7 and L8 have been eliminated. 4 teams remain. 1 is undefeated. Match the 4 remaining teams avoiding previous matchups if possible. Where avoiding previous matchups is not possible, draw for pairings. After Round 4, 2 or 3 teams remain. If 2 teams remain use Bracket A. If 3 teams remain use Bracket B. 2 or 3 teams remain. If 2 teams remain, use Bracket A. If 3 teams remain, use Bracket B.

Bracket A Schedule:

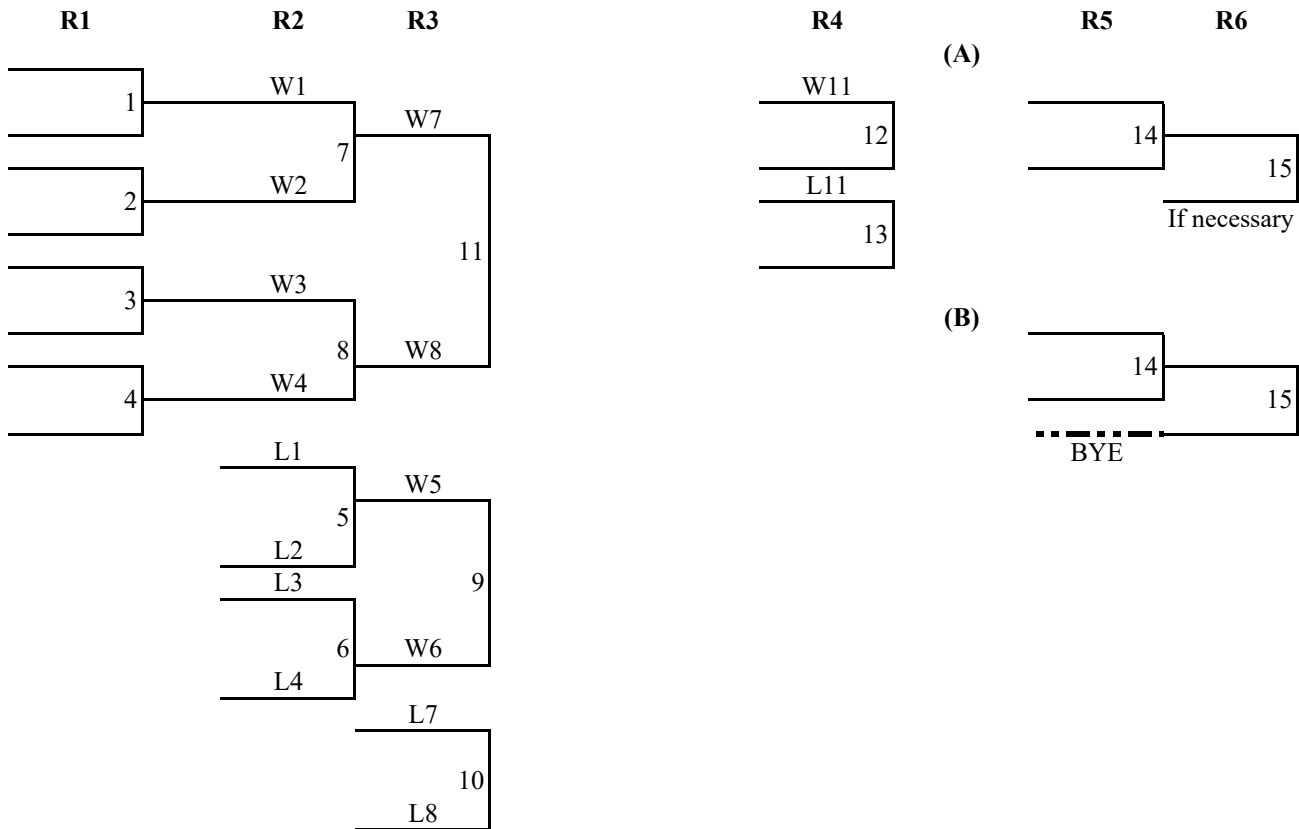
- Round 5: W10 plays W11.
- Round 6: If necessary, there will be a sudden death championship game.

Bracket B Schedule:

- Round 5: Draw for the bye of more than one team is eligible. The 2 remaining teams play each other.
- Round 6: This will be a sudden death championship game.

****Note: Please refer to Section P5 of the Baseball Ontario Constitution regarding rules for Byes.**

SCHEDULE TO BE FOLLOWED FOR AN 8 TEAM TOURNAMENT



- Round 1: Seeded by TBA standings.
 Round 2: L1 plays L2. L3 plays L4. W1 plays W2. W3 plays W4.
 Round 3: L5 and L6 have been eliminated. W5 plays W6. L7 plays L8. W7 plays W8.
 Round 4: L9 and L10 have been eliminated. At this point, 4 teams remain, 1 is undefeated. Match the 4 remaining teams, avoiding previous match-ups if possible. Where avoiding previous match-ups is not possible, a draw shall be held to determine pairings.

Note: After Round 4, 2 or 3 teams remain. If 2 teams remain, use Bracket A. If 3 teams remain, use Bracket B

Bracket A Schedule:

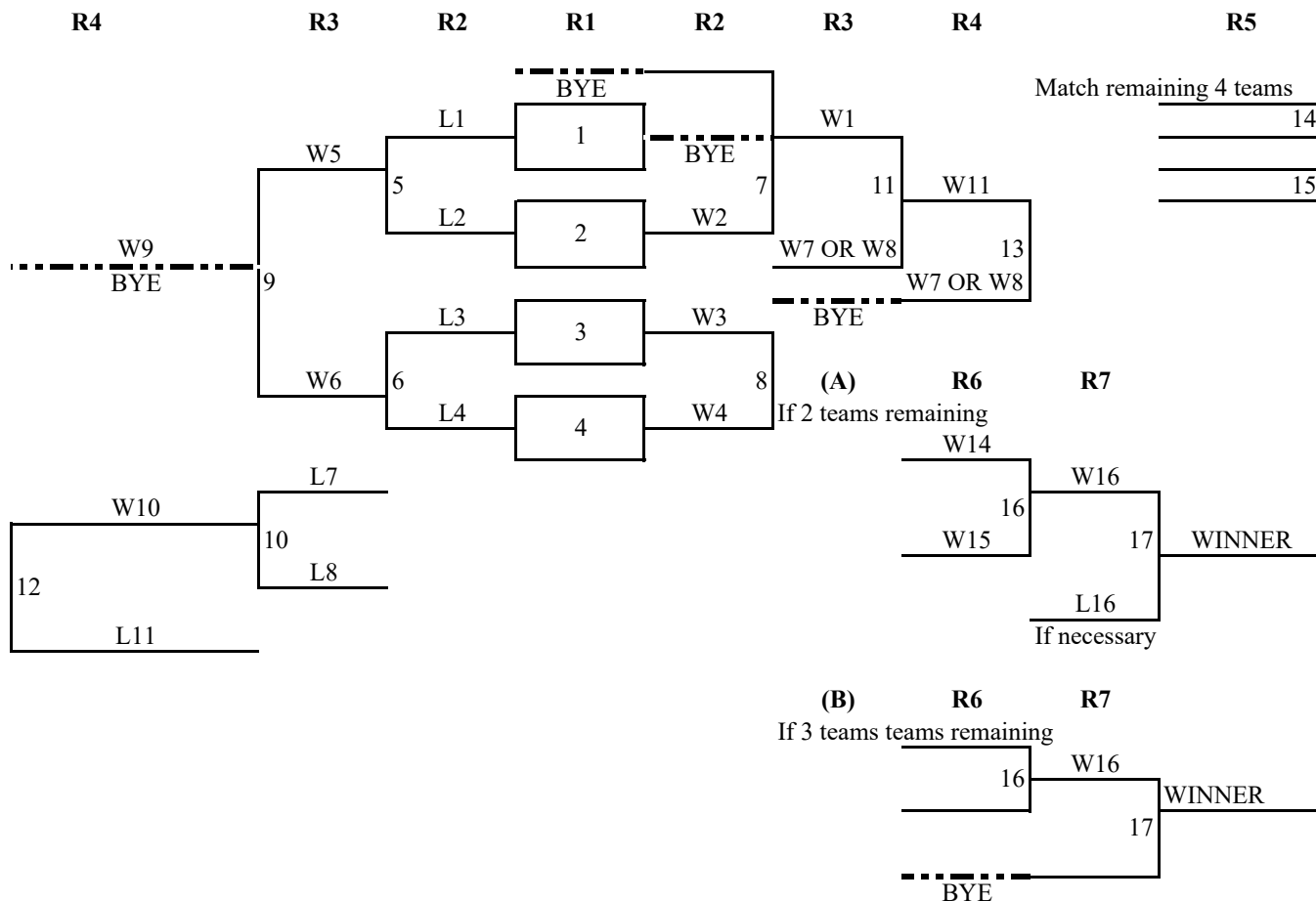
- Round 5: W12 plays W13.
 Round 6: If necessary, there will be a sudden death championship game.

Bracket B Schedule:

- Round 5: Draw for the bye among all teams. The 2 remaining teams will play each other.
 Round 6: This will be a sudden death championship game.

****Note:** Please refer to Section P5 of the Baseball Ontario Constitution regarding rules for Byes.

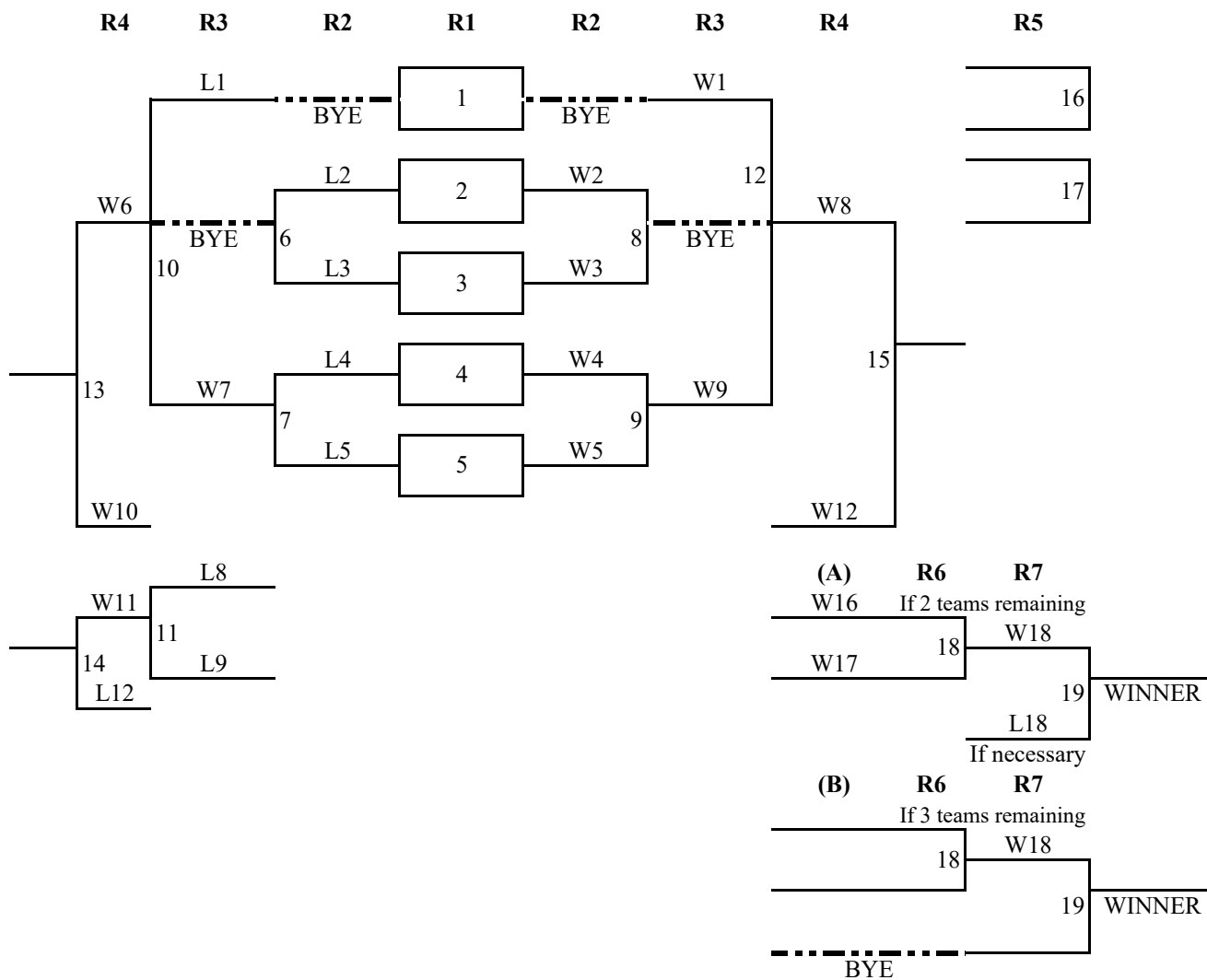
SCHEDULE TO BE FOLLOWED FOR A 9 TEAM TOURNAMENT



- Round 1: Seeded by standings. First-place team receives the bye.
- Round 2: L1 plays L2. L3 plays L4. W1 receives Round 2 bye. Round 1 bye team plays W2. W3 plays W4.
- Round 3: L5 and L6 have been eliminated. W5 plays W6. L7 plays L8.
- Note: If W2 is W7, they receive the bye in Round 3 and W1 plays W8. However, if W2 loses G7, W8
- Round 4: L9 and L10 have been eliminated. W9 receives the bye. W10 plays L11. W11 plays the Round 3 bye team.
- Round 5: L12 has been eliminated. At this point, 4 teams remain, 1 is undefeated. Match the 4 remaining teams, avoiding previous match-ups if possible. Where avoiding previous match-ups is not possible, a draw shall be held to determine pairings.
- Round 6: 2 or 3 teams remain. If 2 teams remain, use Bracket A. If 3 teams remain, use Bracket B.
- Bracket A Schedule:**
- Round 6: W14 plays W15.
- Round 7: If necessary. W16 plays L16.
- Bracket B Schedule:**
- Round 6: Draw for the bye if necessary.
- Round 7: L16 has been eliminated. W16 plays bye team. Sudden death game.

****Note: Please refer to Section P5 of the Baseball Ontario Constitution regarding rules for Byes.**

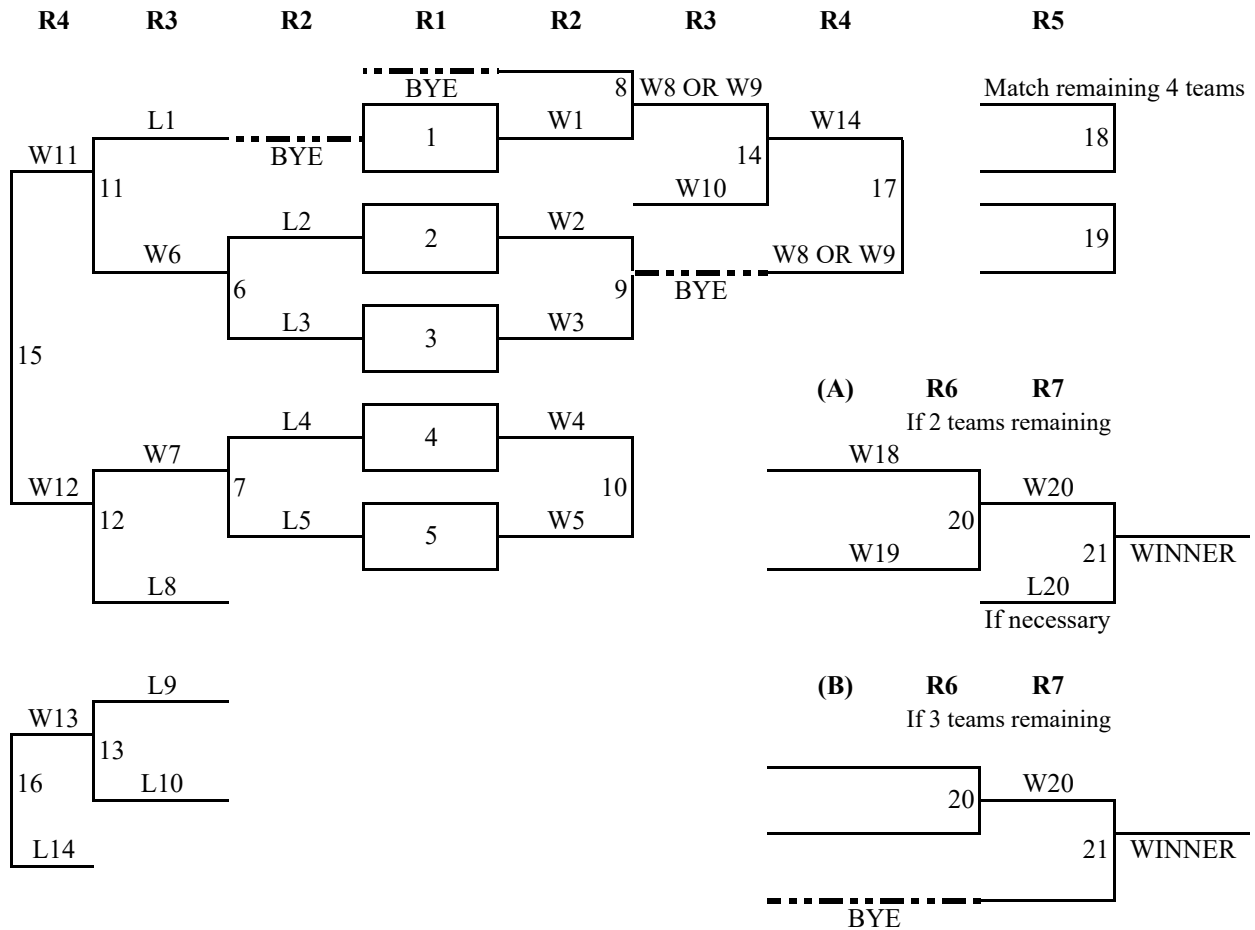
SCHEDULE TO BE FOLLOWED FOR A 10 TEAM TOURNAMENT



- Round 1: Seeded by TBA standings.
- Round 2: W1 receives the bye. W2 plays W3. W4 plays W5. L1 receives the bye. L2 plays L3. L4 plays L5.
- Round 3: L6 and L7 have been eliminated. W6 receives the bye. L1 plays W7. L8 plays L9. W8 receives the bye. W1 plays W9.
- Round 4: L10 and L11 have been eliminated. W6 plays W10. W11 plays L12. W8 plays W12.
- Round 5: L13 and L14 have been eliminated. 4 teams remain, 1 undefeated. Match teams, avoiding previous match-ups where possible. Where avoiding previous match-ups is not possible, a draw shall be held to determine pairings.
- Round 6: 2 or 3 teams remain. If 2 teams remain, 1 will be undefeated. Use Bracket A. If 3 teams remain, draw for the bye if necessary. Use Bracket B.
- Round 7: If necessary, there will be a sudden death championship game.

****Note: Please refer to Section P5 of the Baseball Ontario Constitution regarding rules for Byes.**

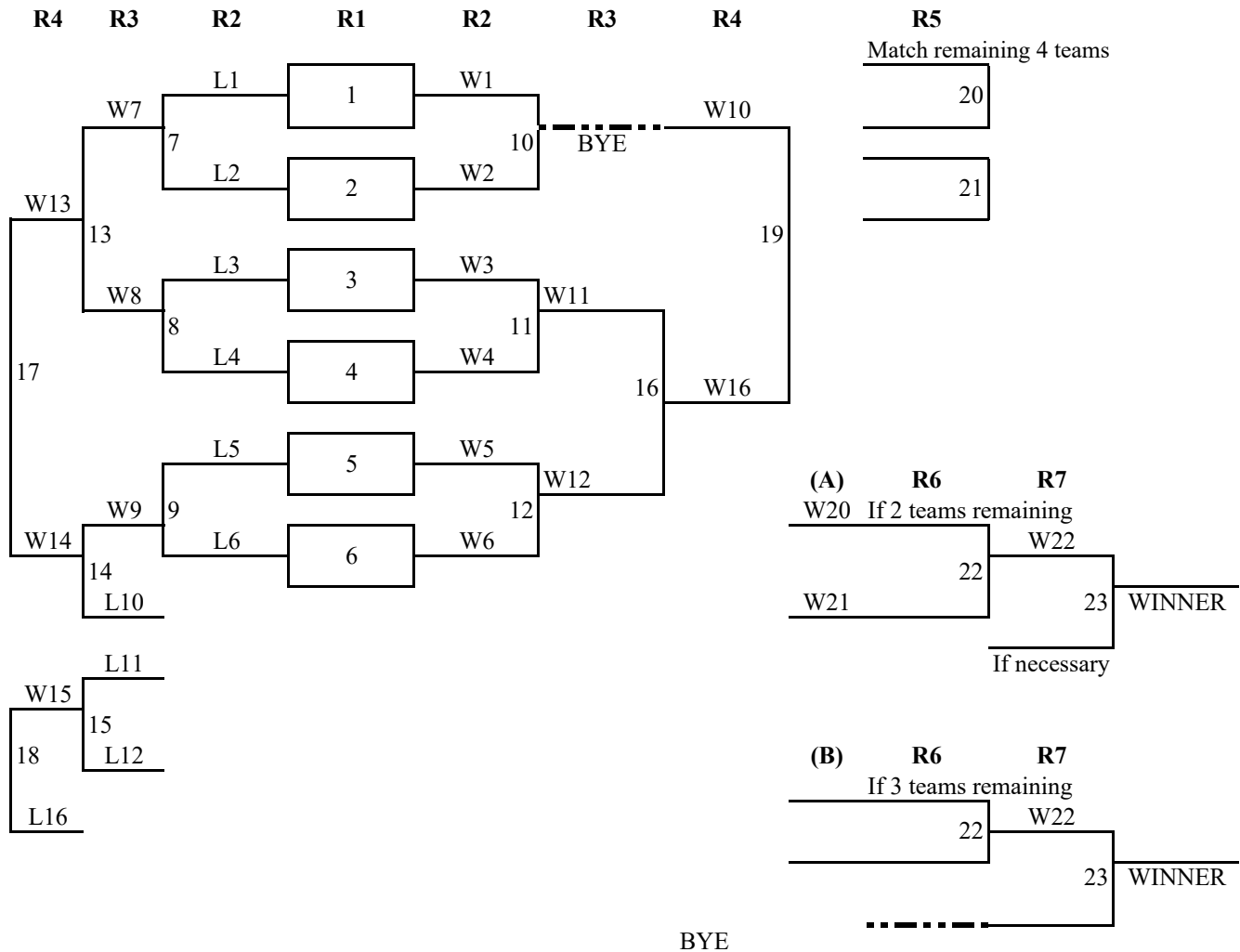
SCHEDULE TO BE FOLLOWED FOR AN 11 TEAM TOURNAMENT



- Round 1: Seeded by TBA standings. First-place team receives the bye.
- Round 2: L1 receives the bye. L2 plays L3. L4 plays L5. Round 1 bye team plays W1. W2 plays W3. W4 plays W5.
- Round 3: L6 and L7 have been eliminated. L1 plays W6. W7 plays L8. L9 plays L10.
- Note: If W8 is (2-0), they receive the bye. W9 plays the winner of G10. If W8 has had a bye, W8 plays W10 and
- Round 4: L11, L12 and L13 have been eliminated. W11 plays W12. W13 plays L14. W14 plays the Round 3 bye team.
- Round 5: L15 and L16 have been eliminated. Only 4 teams remain, 1 undefeated. Match teams, avoiding previous match-ups where possible. Where avoiding previous match-ups is not possible, a draw shall be held to determine pairings.
- Round 6: 2 or 3 teams remain. If 2 teams remain, use Bracket A. If 3 teams remain, draw for the bye if necessary. Use Bracket B.
- Round 7: If necessary, there will be a sudden death championship game.

****Note: Please refer to Section P5 of the Baseball Ontario Constitution regarding rules for Byes.**

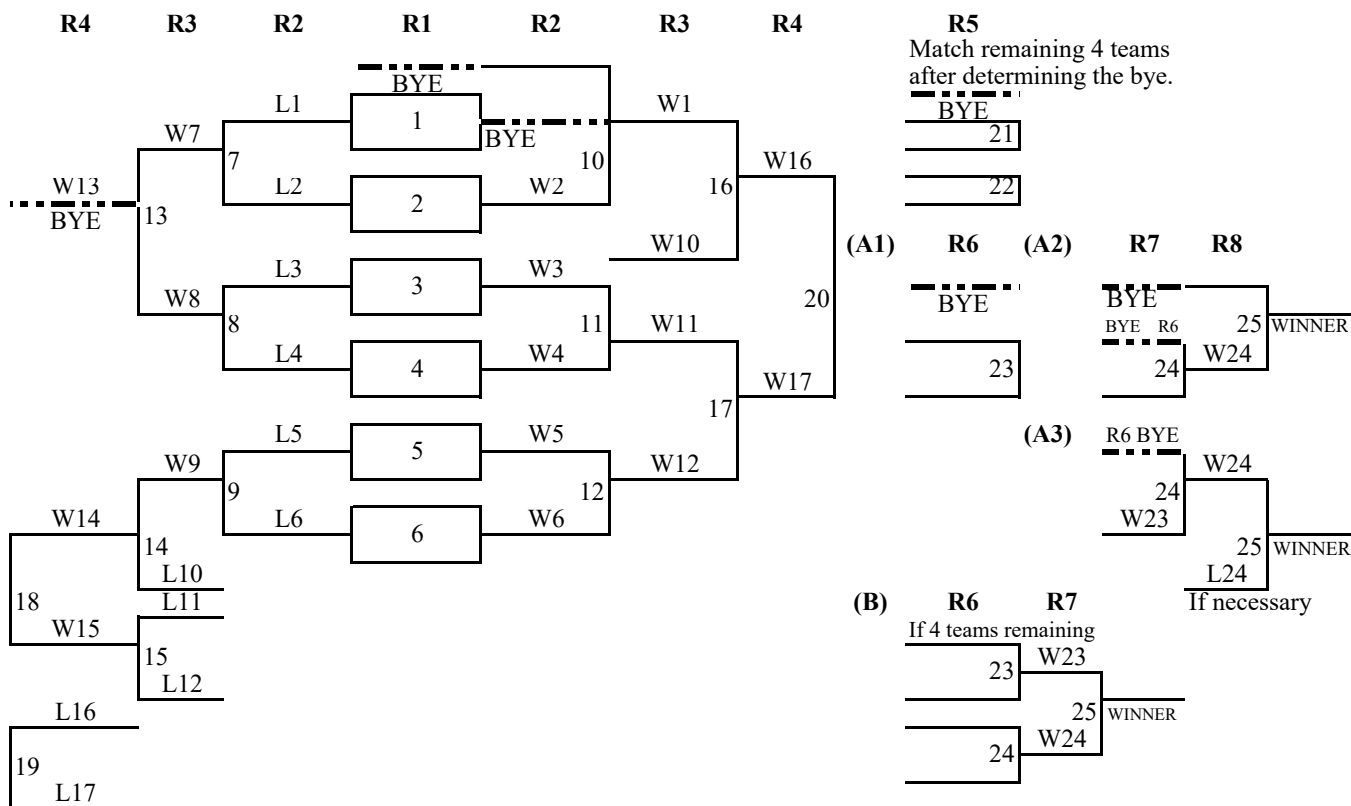
SCHEDULE TO BE FOLLOWED FOR A 12 TEAM TOURNAMENT



- Round 1: Seeded by TBA standings.
- Round 2: L1 plays L2. L3 plays L4. L5 plays L6. W1 plays W2. W3 plays W4. W5 plays W6.
- Round 3: L7, L8, and L9 have been eliminated. W7 plays W8. W9 plays L10. L11 plays L12. W10 receives the bye. W11 plays W12.
- Round 4: L13, L14 and L15 have been eliminated. W13 plays W14. W15 plays L16. W16 plays W10.
- Round 5: L17 and L18 have been eliminated. 4 teams remain, 1 undefeated. Match teams, avoiding previous match-ups where possible. Where avoiding previous match-ups is not possible, a draw shall be held to determine pairings.
- Round 6: 2 or 3 teams remain. If 2 teams remain, use Bracket A. If 3 teams remain, draw for the bye if necessary. Use Bracket B.
- Round 7: If necessary, there will be a sudden death championship game.

****Note**Note: Please refer to Section P5 of the Baseball Ontario Constitution regarding rules for Byes.**

SCHEDULE TO BE FOLLOWED FOR A 13 TEAM TOURNAMENT



- Round 1: Seeded by TBA standings. First-place team receives the bye.
- Round 2: L1 plays L2. L3 plays L4. L5 plays L6. W1 receives the bye. Round I bye team plays W2. W3 plays W4. W5 plays W6.
- Round 3: L7, L8 and L9 have been eliminated. W7 plays W8. W9 plays L10. L11 plays L12. W1 plays W10. W11 plays W12.
- Round 4: L13, L14 and L15 have been eliminated. W13 receives the bye. W14 plays W15. L16 plays L17. W16 plays W17.
- Round 5: L18 and L19 have been eliminated. At this point, 5 teams remain, 1 is undefeated. If the undefeated team is (4-0), they receive the bye. However, if the undefeated team is (3-0), draw for the bye from the teams that have not already had one. In either case, match the 4 remaining teams, avoiding previous match-ups where possible. Where avoiding previous match-ups is not possible, a draw shall be held to determine pairings.

Round 6: Note: 3 or 4 teams remain. If 3 teams remain, use Bracket A1. If 4 teams remain, use Bracket B.

Bracket A1 Schedule:

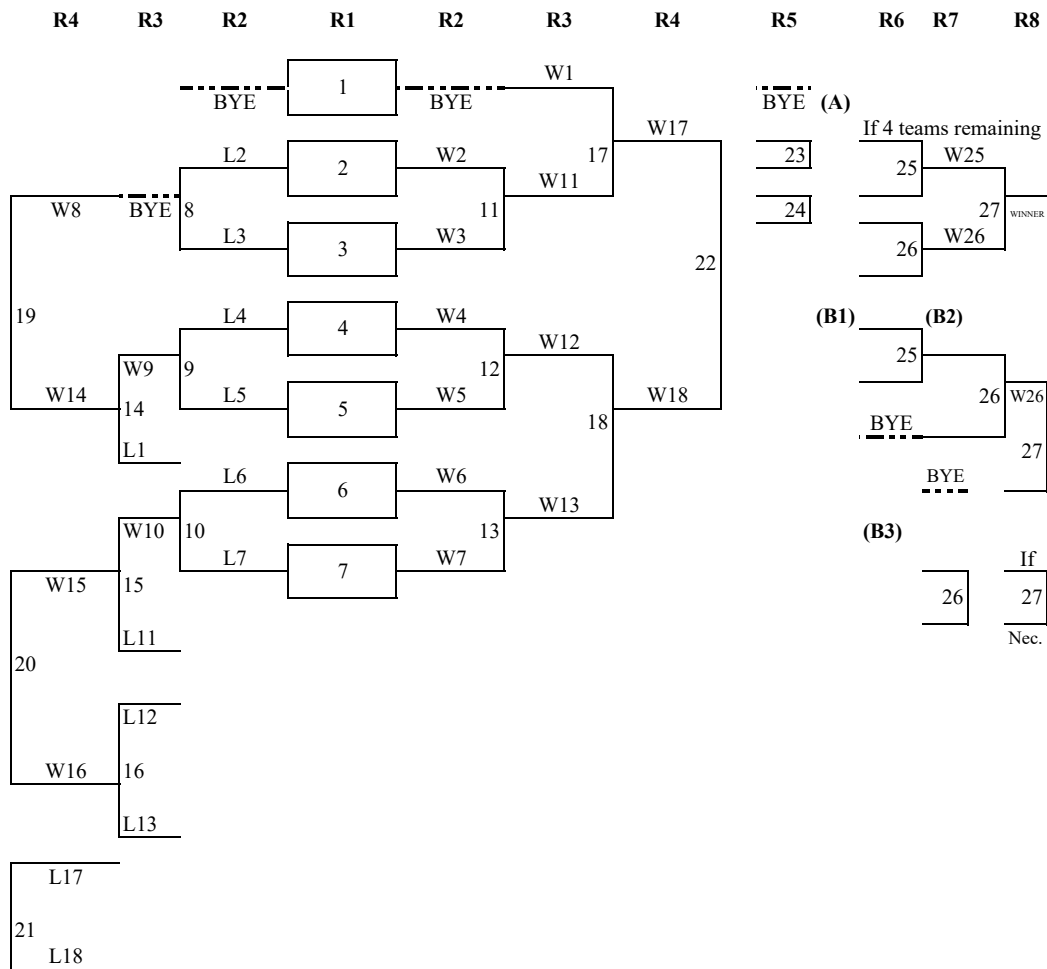
- Round 6: Draw for the bye if necessary. Remaining team plays R5 bye in game 23.
- Round 7: If 3 teams remain use A2. Draw for bye if necessary. Remaining team plays bye R6. If 2 teams remain use A3. W23 plays R6 bye.
- Round 8: **A2.** W24 plays R7 bye.
A3. W24 plays L24. If necessary.

Bracket B Schedule:

- Match remaining 4 teams, avoiding previous match-ups where possible. Where avoiding previous match-ups is not possible, a draw shall be held to determine pairings.
- Round 6: Match remaining 4 teams, avoiding previous match-ups where possible. Where avoiding previous match-ups is not possible, a draw shall be held to determine pairings.
- Round 7: W23 plays W24.

****Note: Please refer to Section P5 of the Baseball Ontario Constitution regarding rules for Byes.**

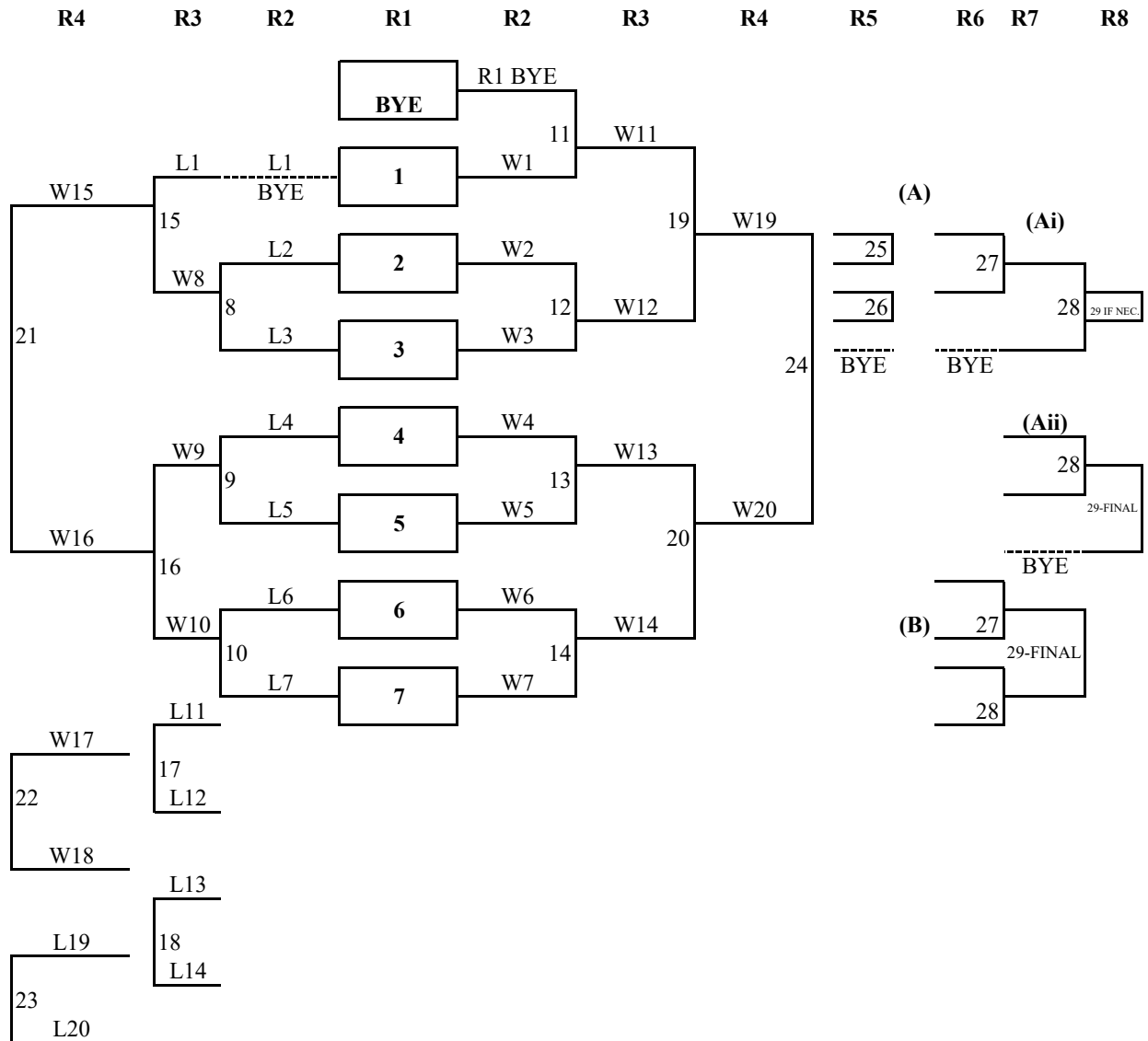
SCHEDULE TO BE FOLLOWED FOR A 14 TEAM TOURNAMENT



- Round 1: Seeded by TBA standings.
- Round 2: Loser 2 vs. loser 3, loser 4 vs. loser 5, loser 6 vs. loser 7, winner 2 vs. winner 3, winner 4 vs. winner 5, winner 6 vs. winner 7. Loser of 1 and winner of 1 receive round 2 byes.
- Round 3: Losers of games 8, 9 & 10 have been eliminated. Loser 1 vs. winner 9, winner 10 vs. winner 11, loser of 12 vs. loser 13, winner 1 vs. winner 11, winner 12 vs. winner 13. Winner of Game 8 receives a bye.
- Round 4: Losers of games 14, 15 & 16 have been eliminated. Winner 8 vs. winner 14, winner 15 vs. Winner 16, loser 17 vs. loser 18, winner 17 vs. winner 18.
- Round 5: Losers of games 19, 20, & 21 have been eliminated. Five teams remain, one undefeated. If the undefeated team is (4-0), they receive the bye. Otherwise, draw for the bye from amongst the teams that have not had one. Match the four remaining teams, avoiding previous match-ups if possible. Where avoiding previous match-ups is not possible, a draw shall be held to determine pairings.
- Round 6: Three or 4 teams remain. If 3 use bracket B1. If four use Bracket A.
- Bracket A**
- Round 6: Four teams remain, all will have a loss. Match teams, avoiding previous match-ups if possible.
- Round 7: Where avoiding previous match-ups is not possible, a draw shall be held to determine pairings. W25 Plays W26.
- Bracket**
- Round 6: Draw for the bye if necessary. Remaining team plays R5 bye team in game 25.
- Round 7: 2 or 3 Teams remain. If 3 use B2. If 2 use B3.
- Bracket**
- Round 7: Draw for bye if necessary. Remaining team play R6 bye team in game 26.
- Round 8: W26 plays R7 bye team.
- Bracket**
- Round 7: W25 plays R6 bye team.
- Round 8: W26 plays L26, if necessary.

****Note: Please refer to Section P5 of the Baseball Ontario Constitution regarding rules for Byes.**

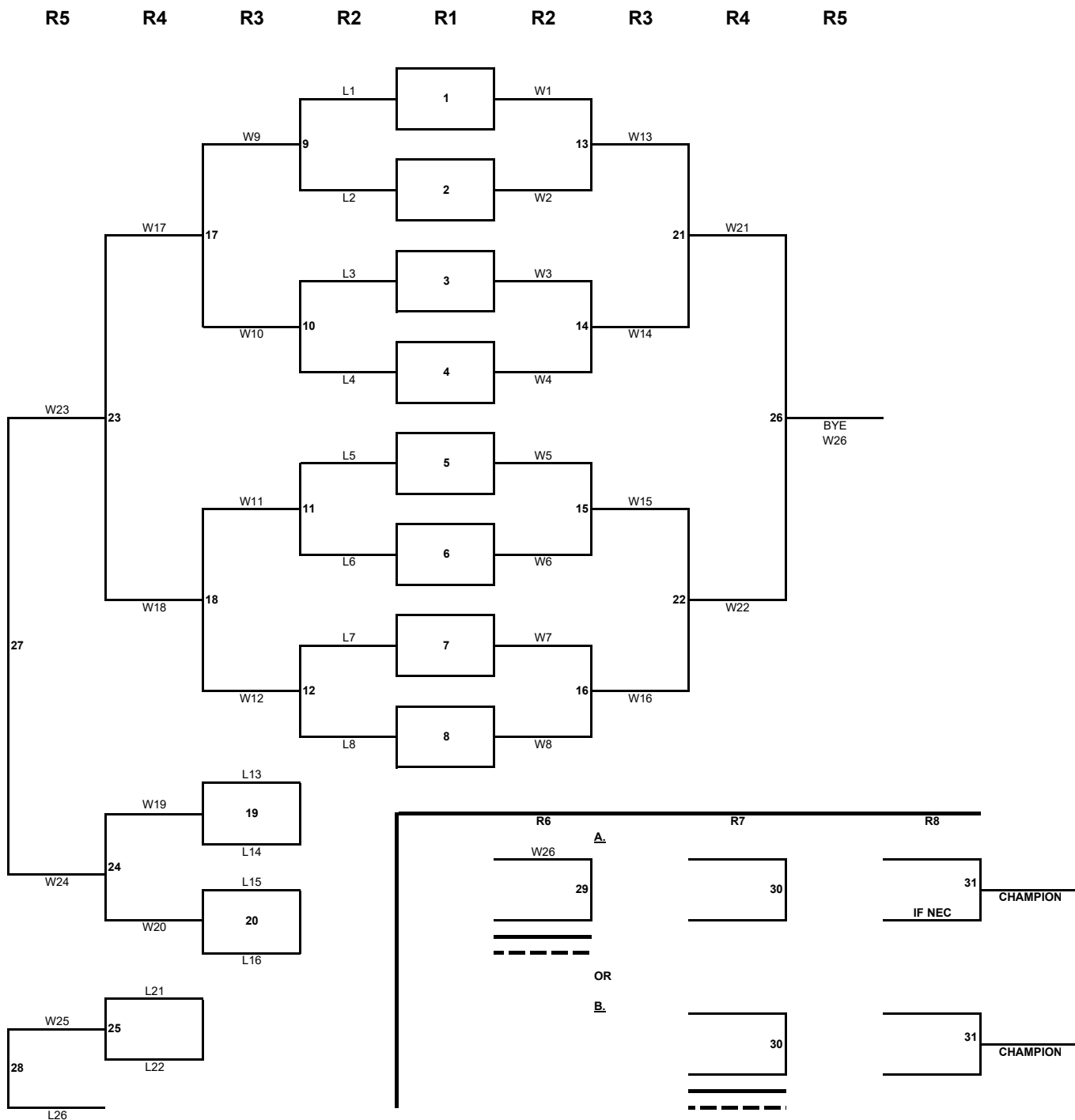
SCHEDULE TO BE FOLLOWED FOR A 15 TEAM TOURNAMENT



- Round 1: Seeded by TBA standings games one through seven The first-place team receives Round 1 Bye.
- Round 2: Loser of Game #1 receives Bye in Round 2. L2 plays L3, L4 plays L5, L6 plays L7. W1 plays Bye 1, W2 plays W3, W4 plays W5, W6 plays W7.
- Round 3: Loser of games 8, 9 and 10 have been eliminated. W8 plays L1, W9 plays W10, L11 plays L12, L13 plays L14, W11 plays W12, W13 plays W14.
- Round 4: Losers of games 15, 16, 17 and 18 have been eliminated. W15 plays W16, W17 plays W18, L19 plays L20. W19 plays W20.
- Round 5: Five teams remain, one team is undefeated. If the undefeated team is 4-0, they receive the bye. Otherwise, draw for the bye. Pair teams, avoiding previous match-ups where possible.
- Round 6: If the undefeated team has the Bye in Round 5, or won in Round 5, 3 teams remain. Use Bracket "A". Note: if the undefeated team lost in Round 5, use Bracket "B". In this case four teams remain and all have a loss.
- Round 7: If after Round 6 in "A" Bracket there is still an undefeated team, 2 teams remain. Use Bracket "(Ai)". If after Round 6 in "A" Bracket 3 teams still remain, use Bracket "(Aii)". Draw for bye if necessary. In "B" Bracket, W27 plays W28 for championship.
- Round 8: This round is possible only in "A" Brackets. In Bracket (Ai), game 29 is necessary if the undefeated team loses in game 28. In Bracket (Aii), W28 plays Round 7 Bye team for championship in game 29.

****Note: Please refer to Section P5 of the Baseball Ontario Constitution regarding rules for Byes.**

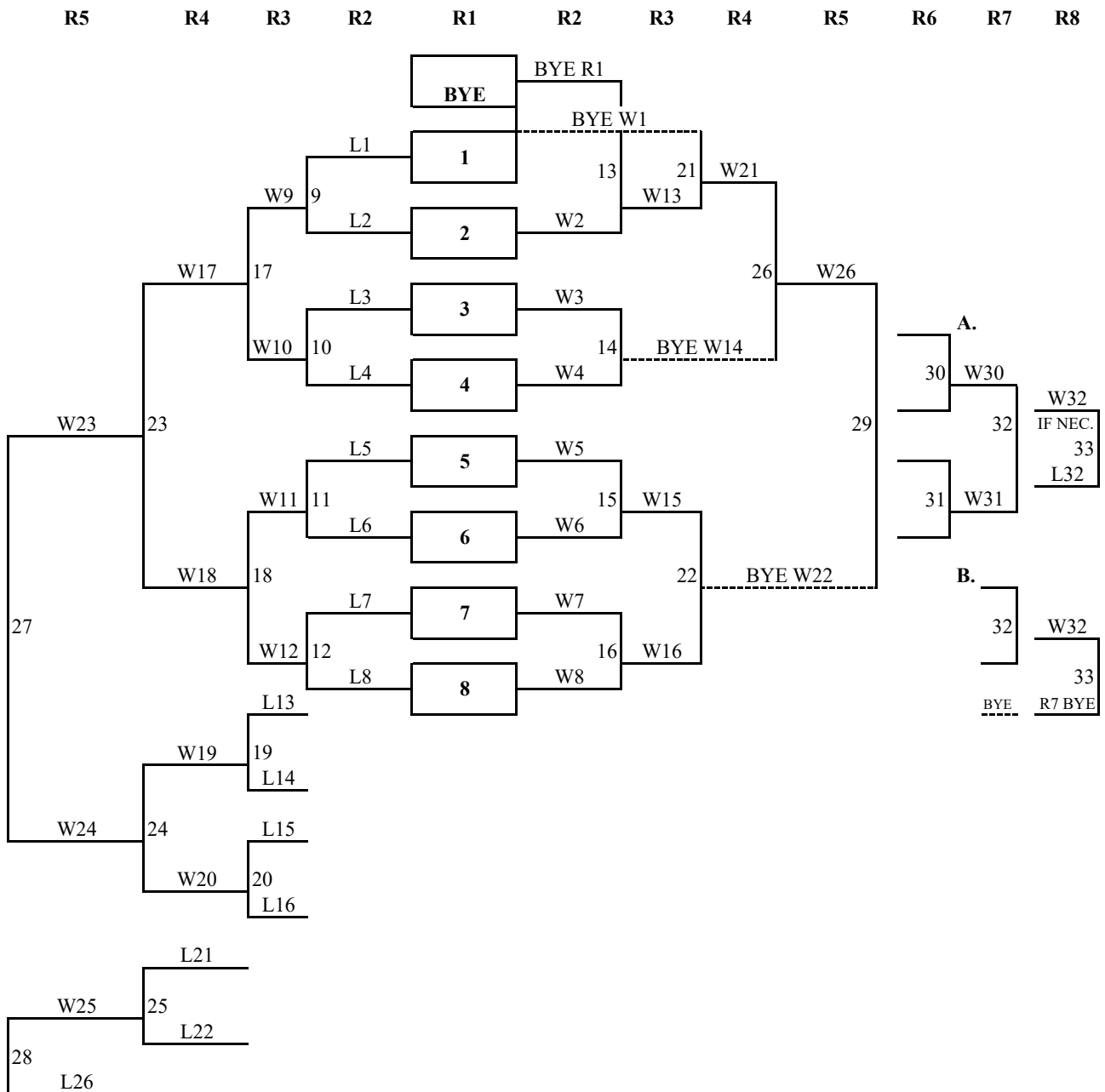
SCHEDULE TO BE FOLLOWED FOR A 16 TEAM TOURNAMENT



- Round 1 Seeded by TBA standings game 1 through 8.
- Round 2 L1 plays L2, L3 plays L4, L5 plays L6, L7 plays L8, W1 plays W2, W3 plays W4, W5 plays W6, W7 plays W8. Losers of games 9, 10, 11 and 12 have been eliminated. W9 plays W10, W11 plays W12, L13 plays L14, L15 plays L16, W13 plays W14, W15 plays W16.
- Round 3 Losers of games 17, 18, 19 and 20 have been eliminated. W17 plays W18, W19 plays W20, L21 plays L22, W21 plays W22.
- Round 4 Losers of games 23, 24 and 25 have been eliminated. W23 plays W24, W25 plays L26. W26 receives a bye.
- Round 6 Losers of games 27 and 28 have been eliminated. 3 teams remain. W26 must play. Draw for a bye between W27 and W28 to see who plays W26 in game #29.
- Round 7 After Round 6, two or three teams remain. If two remain, one is undefeated. Use Bracket A. If three remain, all have one loss, use Bracket B.
 - Bracket A Two remaining teams play in Round 7. If undefeated team loses game #30, the same two teams play again in game #31 in Round 8 for Championship.
 - Bracket B Round 7 - W26 plays bye team from Round 6.
Round 8 - W30 plays bye team from Round 7 for Championship.

****Note: Please refer to Section P5 of the Baseball Ontario Constitution regarding rules for Byes.**

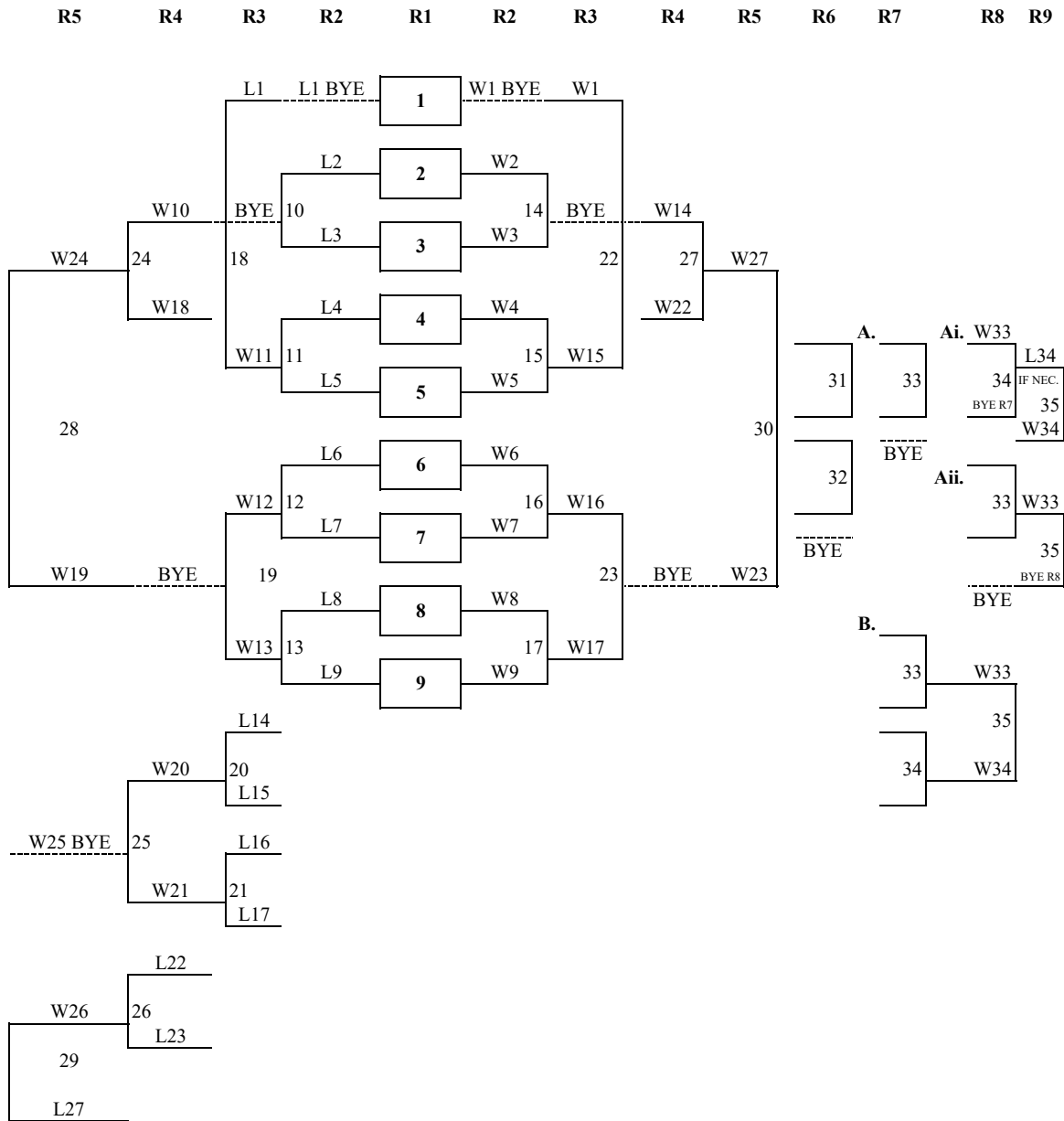
SCHEDULE TO BE FOLLOWED FOR A 17 TEAM TOURNAMENT



- Round 1: First team drawn receives the bye. Draw for pairings of games one through eight.
- Round 2: L1 vs L2, L3 vs L4, L5 vs L6, L7 vs L8. Winner of game 1 receives a bye. Winner of game 2 vs first round bye team, W3 vs W4, W5 vs W6, W7 vs W8.
- Round 3: Loser of games 9, 10, 11, and 12 have been eliminated. W9 vs W10, W11 vs W12, L13 vs L14, L15 vs L16. Note: winner of game 14 draws bye. W1 vs W13, W15 vs W16.
- Round 4: Loser of games 17, 18, 19 and 20 have been eliminated. W17 vs W18, W19 vs W20, L21 vs L22, W21 vs W14. Note: winner of game 22 receives a bye.
- Round 5: Loser of games 23, 24 and 25 have been eliminated. W23 vs W24, W25 vs L26, W26 vs W22.
- Round 6: Loser of games 27 and 28 have been eliminated. Note: only four teams remain, one undefeated. Draw or pair remaining four teams, avoiding previous match-ups where possible.
- Round 7: Only two or three teams remain. If two, one is undefeated. Use Bracket A. If three teams remain, use Bracket B. Draw for the bye if necessary.
- Round 8: Bracket A: W32 vs L32, if necessary. Bracket B: W32 vs R7 Bye.

****Note: Please refer to Section P5 of the Baseball Ontario Constitution regarding rules for Byes.**

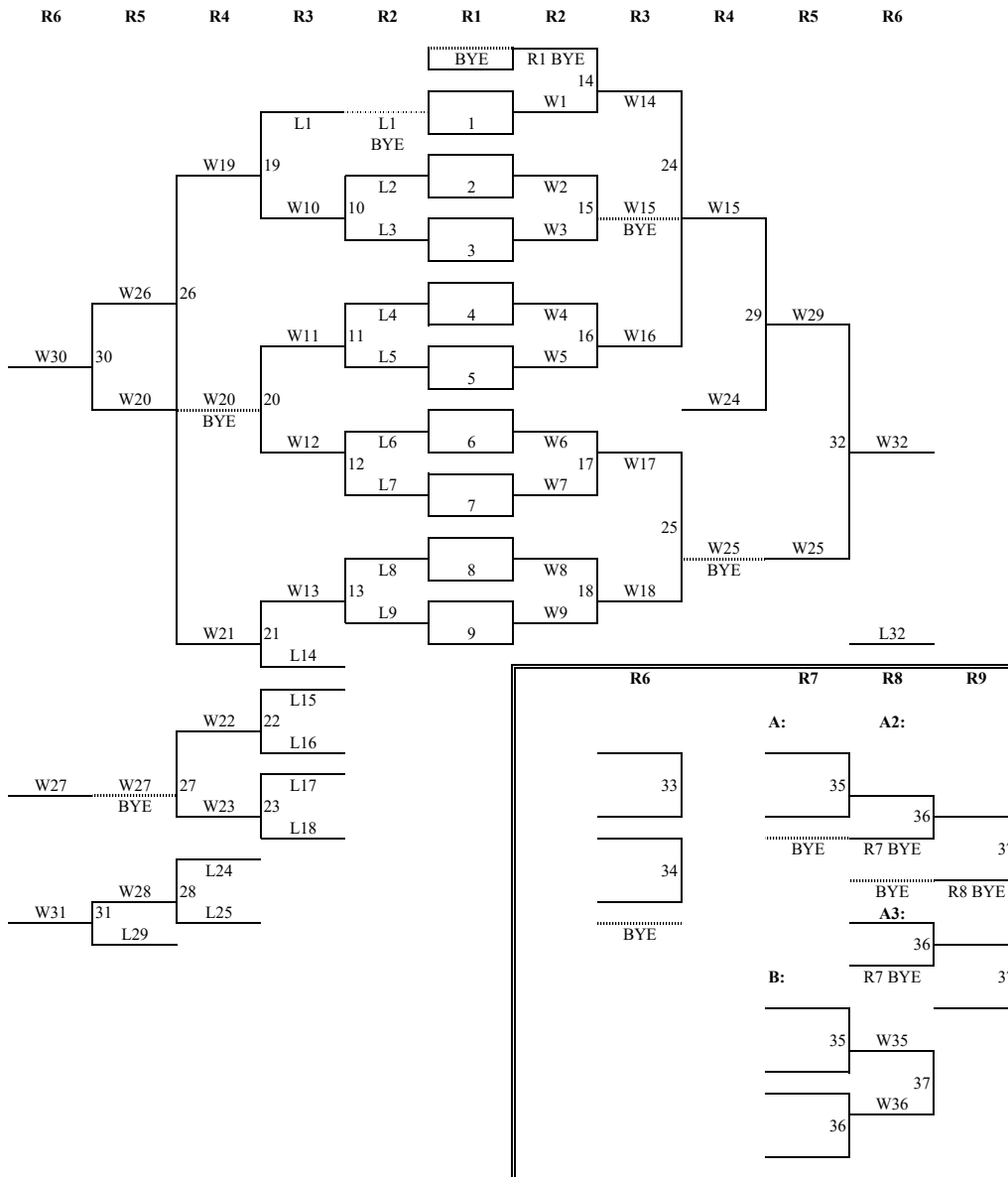
SCHEDULE TO BE FOLLOWED FOR A 18 TEAM TOURNAMENT



- Round 1: Draw for pairings.
- Round 2: Loser of game #1 and winner of game #1 receive byes. L2 vs L3, L4 vs L5, L6 vs L7, L8 vs L9. W2 vs W3, W4 vs W5, W6 vs W7, W8 vs W9.
- Round 3: Loser of games 10, 11, 12 and 13 have been eliminated. Winner of game 10 receives a bye. L1 vs W11, W12 vs W13, L14 vs L15, L16 vs L17. Winner of game 14 receives a bye. W1 vs W15, W16 vs W17.
- Round 4: Loser of games 18, 19, 20 and 21 have been eliminated. Winner of game 19 receives a bye. W10 vs W18, W20 vs W21, L22 vs L23. Winner of game 23 receives a bye. W14 vs W22.
- Round 5: Loser of game 24, 25 and 26 have been eliminated. Winner of game 25 receives a bye. W24 vs W19, W26 vs L27, W27 vs W23.
- Round 6: Loser of games 28 and 29 have been eliminated. Five teams remain, one is undefeated. Note: if the undefeated team is 5 and 0, they receive the bye. Otherwise, draw for the bye and avoid previous match-ups if possible. A draw may be required to determine pairings.
- Round 7: Three or four teams remain. If three teams, use Bracket "A". Draw for the bye if necessary. If four teams remain, use Bracket "B". Avoid previous pairings if possible. Otherwise, draw for pairings.
- Round 8: Two or three teams remain. From Bracket "A", if 2 are left, one is undefeated. Use Bracket "Ai". If three teams remain, use Bracket "Aii". Draw for bye. From Bracket "B", W33 plays W34.
- Round 9: Two teams remain. From Bracket "Ai" L34 plays W34 if necessary. From Bracket "Aii" W34 plays Round 8 bye.

****Note: Please refer to Section P5 of the Baseball Ontario Constitution regarding rules for Byes.**

SCHEDULE TO BE FOLLOWED FOR A 19 TEAM TOURNAMENT



Round 1:

First team drawn receives the bye. Draw for pairings games one through nine.

Round 2:

Loser of game # 1 receives the bye. L2 vs. L3, L4 vs. L5, L6 vs. L7, L8 vs. L9. First round bye team vs. W1, W2 vs. W3, W4 vs. W5, W6 vs. W7, W8 vs. W9.

Round 3:

Losers of games # 10, 11, 12 and 13 have been eliminated. L1 vs. W10, W11 vs. W12, W13 vs. L14, L15 vs. L 16, L17 vs. L18, W14 vs. W16, W17 vs. W18. Winner game #15 receives a bye.

Round 4:

Losers of games # 19, 20, 21, 22 and 23 have been eliminated. W19 vs. W21, W22 vs. W23, L24 vs. L25. Winner of game #20 receives a bye. W15 vs. W24. Winner of game #25 receives a bye.

Round 5:

Losers of games # 26, 27 and 28 have been eliminated. W20 vs. W26, W28 vs. L29. Winner of game # 27 receives a bye. W29 vs. W25.

Round 6:

Losers of games 30 and 31 have been eliminated. Only 5 teams remain. One is undefeated. If the undefeated team is 5-0, they automatically receive the bye, otherwise, draw for the bye. Pair remaining teams, avoiding previous matchups where possible. Note: if all five remaining teams have had a bye and the undefeated team is 4-0, the undefeated team would receive the bye.

Round 7:

3 or 4 teams remain. If three teams, use Bracket "A". Draw for the bye if necessary. If four teams remain, all have one loss. Use bracket "B". Draw or pair teams avoiding previous matchups if possible.

Round 8:

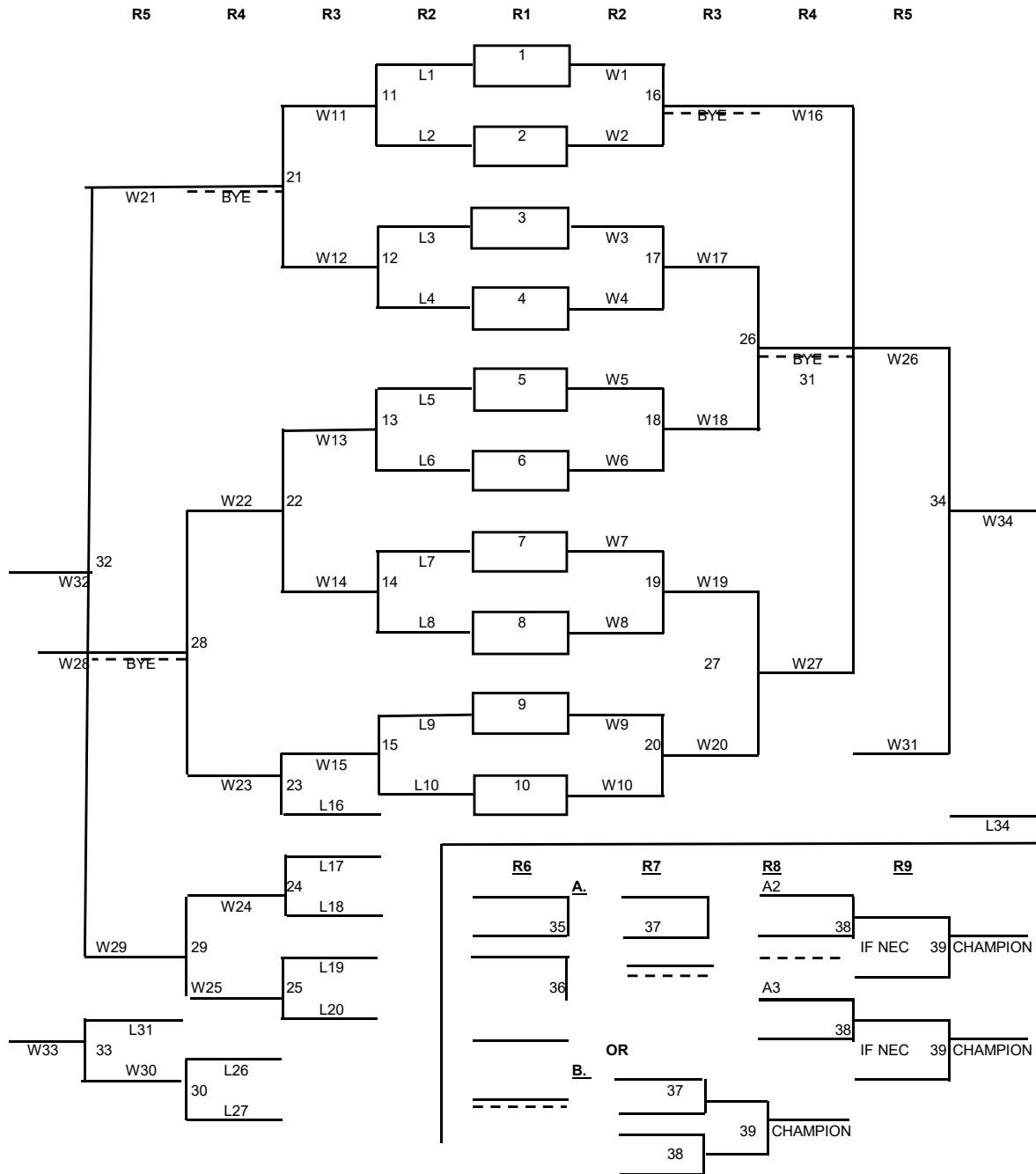
If using Bracket A, 2 or 3 teams remain. If 2 teams remain use bracket A2. If 3 teams remain use bracket A3 and draw for bye if necessary. If using Bracket B: W35 plays W36.

Round 9:

If necessary.

****Note: Please refer to Section P5 of the Baseball Ontario Constitution regarding rules for Byes.**

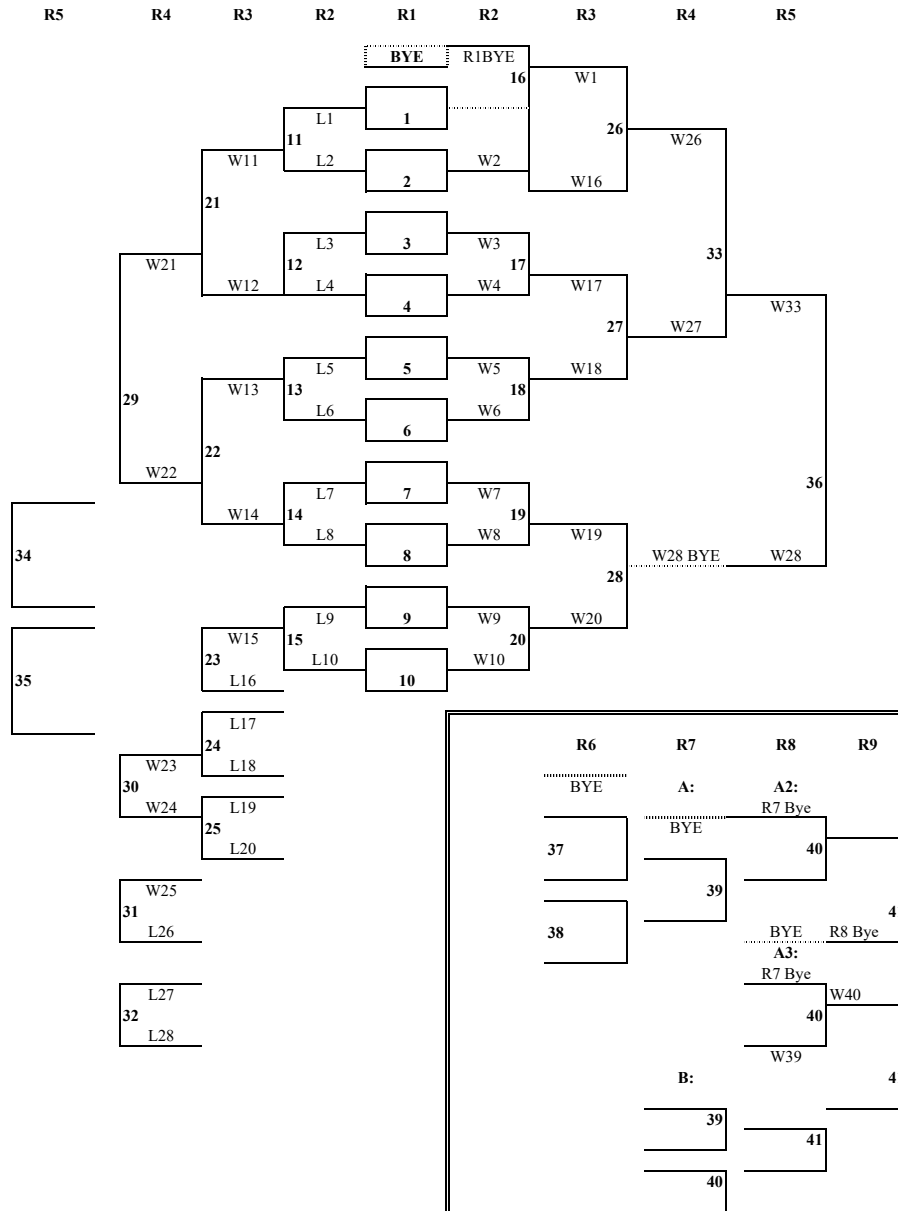
SCHEDULE TO BE FOLLOWED FOR A 20 TEAM TOURNAMENT



- Round 1** Draw for pairings games 1 through 10.
- Round 2** L1 plays L2, L3 plays L4, L5 plays L6, L7 plays L8, L9 plays L10, W1 plays W2, W3 plays W4, W5 plays W6, W7 plays W8, W9 plays W10.
- Round 3** Losers of games 11, 12, 13, 14 and 15 have been eliminated. W11 plays W12, W13 plays W14, W15 plays L16, L17 plays L18, L19 plays L20. Winner of game #16 receives a bye. W17 plays W18, W19 plays W20.
- Round 4** Losers of games 21, 22, 23, 24 and 25 have been eliminated. Winner of game #21 receives a bye. W22 plays W23, W24 plays W25, L26 plays L27, W16 plays W27. Winner of game #26 receives a bye.
- Round 5** Losers of games 28, 29 and 30 have been eliminated. Winner of game #28 receives as bye. W21 plays W29, W30 plays L31, W26 plays W31.
- Round 6** Losers of games 32 and 33 have been eliminated. Five teams remain (W28, W32, W33, W34 and L34). One team is undefeated. If the undefeated team is 5 - 0, they receive the bye. Otherwise, draw for the bye from the teams that are eligible to receive a bye. In either case, match four remaining teams avoiding previous match ups where possible. Where avoiding previous match ups is not possible, a draw will be held to determine pairings.
- Round 7** Three or four teams remain. If three remain, one is undefeated. Use Bracket A. If four teams remain, all have one loss, use Bracket B.
- Bracket A:** Round 7: Draw for bye if necessary. Remaining two teams play.
Round 8: Two or three teams remain. If three use A2. Draw for bye if necessary. If two, use A3.
Round 9: Game #39 is Championship game if necessary.
- Bracket B:** Round 7: Four teams remain. All with a loss, match teams, avoiding previous match ups if possible. If not, draw for pairings.
Round 8: W37 plays W38 for Championship.

****Note: Please refer to Section P5 of the Baseball Ontario Constitution regarding rules for Byes.**

SCHEDULE TO BE FOLLOWED FOR A 21 TEAM TOURNAMENT



Round 1:

First team drawn receives the bye. Draw for pairings games one through nine.

Round 2:

Winner of game 1 receives a bye.

Round 3:

Losers of games 11, 12, 13, 14 and 15 have been eliminated.

Round 4:

Losers of games 21, 22, 23, 24, 25 have been eliminated. Note: 3 teams remain undefeated. Winner of game 28 receives the bye.

Round 5:

Losers of games 29, 30, 31, 32 have been eliminated. At this point, 7 teams remain. Winners of games 28 and 33 will play each other. Apply bye rules, drawing for bye if necessary, to determine the bye team from the 5 teams with a loss. The other 4 teams will be paired, avoiding previous matchups where possible.

Round 6:

Losers of games 34 and 35 have been eliminated. 5 teams remain, 1 is undefeated. If the undefeated team is 5-0, they receive the bye. Otherwise, apply bye rules, drawing for bye if necessary

Round 7:

3 or 4 teams remain. If 3, use Bracket A and draw for the bye if necessary. If 4 teams remain, all have had a loss. Match teams avoiding previous matchups where possible. If not, draw for pairings.

Round 8:

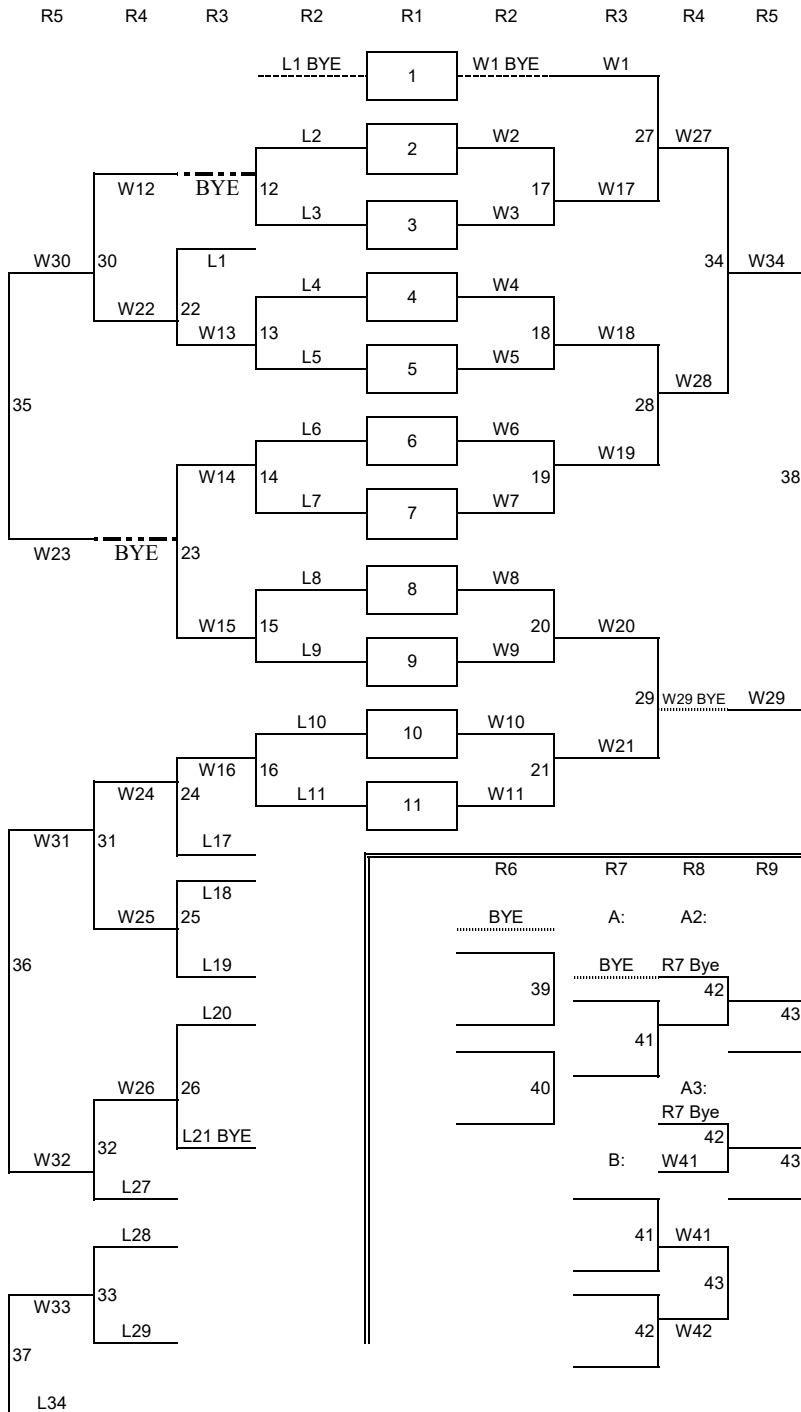
In Bracket A, two or three teams remain. Draw for bye if necessary. If not, draw for pairings. If 3 teams, use A2. Draw for bye if necessary. If 2 teams remain, use A3. In Bracket B, losers of games 39 and 40 have been eliminated, W39 and W40 play for the championship.

Round 9:

If necessary.

****Note:** Please refer to Section P5 of the Baseball Ontario Constitution regarding rules for Byes.

SCHEDULE TO BE FOLLOWED FOR A 22 TEAM TOURNAMENT



ROUND 1 - Draw for Pairings.

ROUND 2 - Winner and Loser of Game # 1 receive bye in Round #2. L2 plays L3, L4 plays L5, L6 plays L7. L8 plays L9, L10 plays L11. W2 plays W3, W4 plays W5, W6 plays W7, W8 plays W9, W10 plays W11.

ROUND 3 - Losers of games 12, 13, 14, 15 and 16 have been eliminated. Winner of game 12 receives the bye. L1 plays W13, W14 plays W15, W16 plays W17, L18 plays L19, L20 plays L21. W1 plays W17, W18 plays W19, W20 plays W21.

ROUND 4 - Losers of games 22, 23, 24, 25 and 26 have been eliminated. The Winners of Game 23 and 29 each receive byes. W12 plays W22, W24 plays W25, W26 plays L27, L28 plays L29, W27 plays W28.

ROUND 5 - Losers of games 30, 31, 32 and 33 have been eliminated. W30 plays W23, W31 plays W32, W33 plays L34, W34 plays W29.

ROUND 6 - Losers of games 35, 36 and 37 have been eliminated. 5 teams remain. If the undefeated team is 5-0 they get the bye. Otherwise, draw for bye from eligible teams. Match remaining teams avoiding previous matchups if possible, otherwise, draw for pairings.

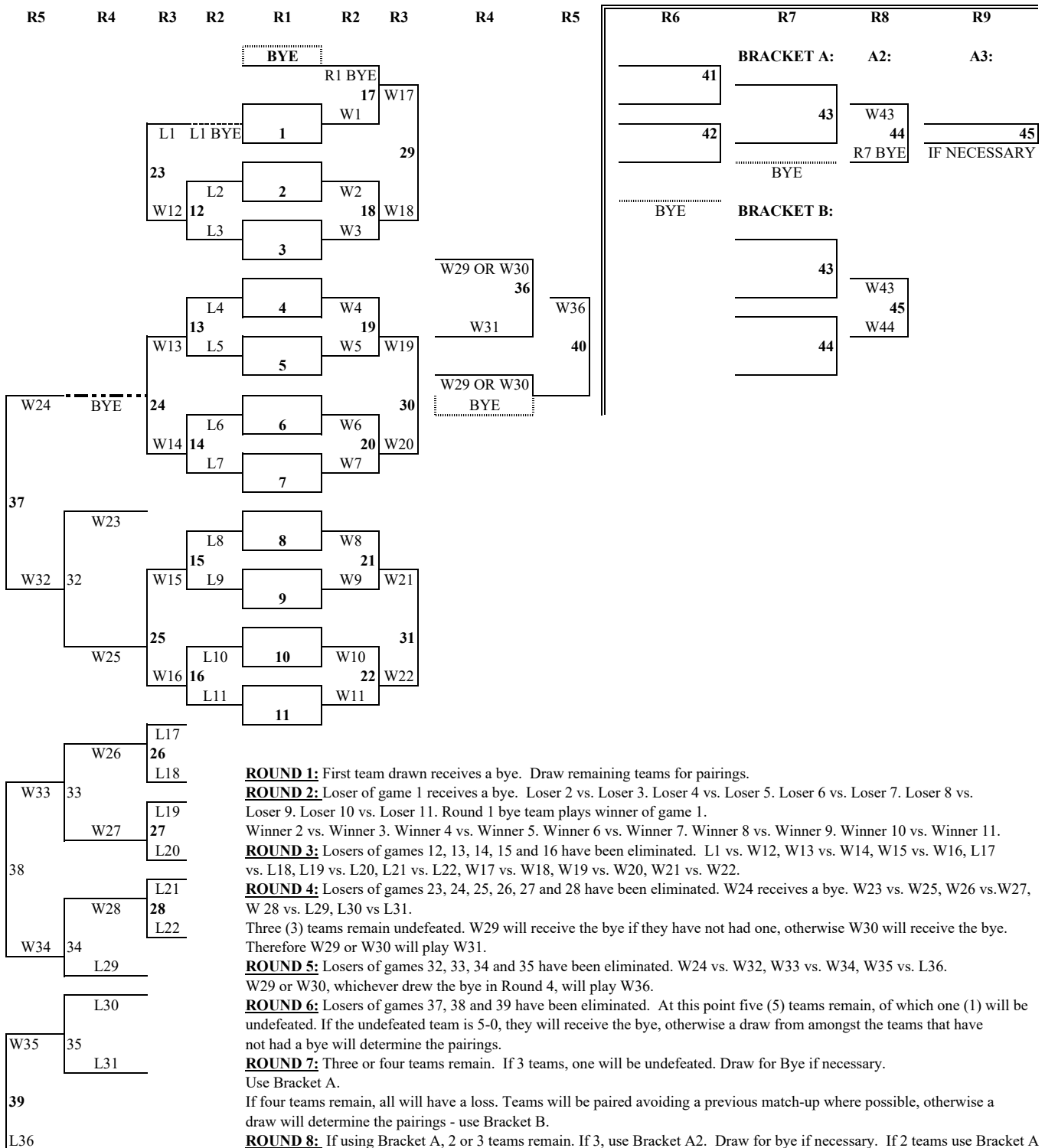
ROUND 7 - 3 or 4 teams remain. If 3 remain, one is undefeated. Use Bracket A. Draw for bye if necessary. If 4 teams remain, use Bracket B. Match remaining teams avoiding previous matchups if possible, otherwise, draw for pairings.

ROUND 8 - Bracket A: 2 or 3 teams remain. If 3, use A2. Draw for bye if necessary. If 2, use A3. Bracket B: Losers of games 41 and 42 have been eliminated. W41 plays W42 for Championship.

ROUND 9 - If Necessary.

****Note: Please refer to Section P5 of the Baseball Ontario Constitution regarding rules for Byes.**

SCHEDULE TO BE FOLLOWED FOR A 23 TEAM TOURNAMENT



ROUND 1: First team drawn receives a bye. Draw remaining teams for pairings.

ROUND 2: Loser of game 1 receives a bye. Loser 2 vs. Loser 3. Loser 4 vs. Loser 5. Loser 6 vs. Loser 7. Loser 8 vs. Loser 9. Loser 10 vs. Loser 11. Round 1 bye team plays winner of game 1. Winner 2 vs. Winner 3. Winner 4 vs. Winner 5. Winner 6 vs. Winner 7. Winner 8 vs. Winner 9. Winner 10 vs. Winner 11.

ROUND 3: Losers of games 12, 13, 14, 15 and 16 have been eliminated. L1 vs. W12, W13 vs. W14, W15 vs. W16, L17 vs. L18, L19 vs. L20, L21 vs. L22, W17 vs. W18, W19 vs. W20, W21 vs. W22.

ROUND 4: Losers of games 23, 24, 25, 26, 27 and 28 have been eliminated. W24 receives a bye. W23 vs. W25, W26 vs. W27, W28 vs. L29, L30 vs. L31. Three (3) teams remain undefeated. W29 will receive the bye if they have not had one, otherwise W30 will receive the bye. Therefore W29 or W30 will play W31.

ROUND 5: Losers of games 32, 33, 34 and 35 have been eliminated. W24 vs. W32, W33 vs. W34, W35 vs. L36. W29 or W30, whichever drew the bye in Round 4, will play W36.

ROUND 6: Losers of games 37, 38 and 39 have been eliminated. At this point five (5) teams remain, of which one (1) will be undefeated. If the undefeated team is 5-0, they will receive the bye, otherwise a draw from amongst the teams that have not had a bye will determine the pairings.

ROUND 7: Three or four teams remain. If 3 teams, one will be undefeated. Draw for Bye if necessary. Use Bracket A.

If four teams remain, all will have a loss. Teams will be paired avoiding a previous match-up where possible, otherwise a draw will determine the pairings - use Bracket B.

ROUND 8: If using Bracket A, 2 or 3 teams remain. If 3, use Bracket A2. Draw for bye if necessary. If 2 teams use Bracket A If using Bracket B, both will have a loss and the winner will advance.

ROUND 9: If necessary.

****Note:** Please refer to Section P5 of the Baseball Ontario Constitution regarding rules for Byes.